

Kambič

MICRO CALIBRATION BATH

OBM (+ 35 °C... + 220 °C)
OBM-LT (- 35 °C... + 130 °C)

Portable calibration baths - metrology performance:

- Conventional compressor-based refrigeration system
 - Uniformity and stability in mK range
 - Calibrate sensors in fluid
 - Fluid ensures perfect heat transfer
 - Unique vertical flow design
 - Take it anywhere

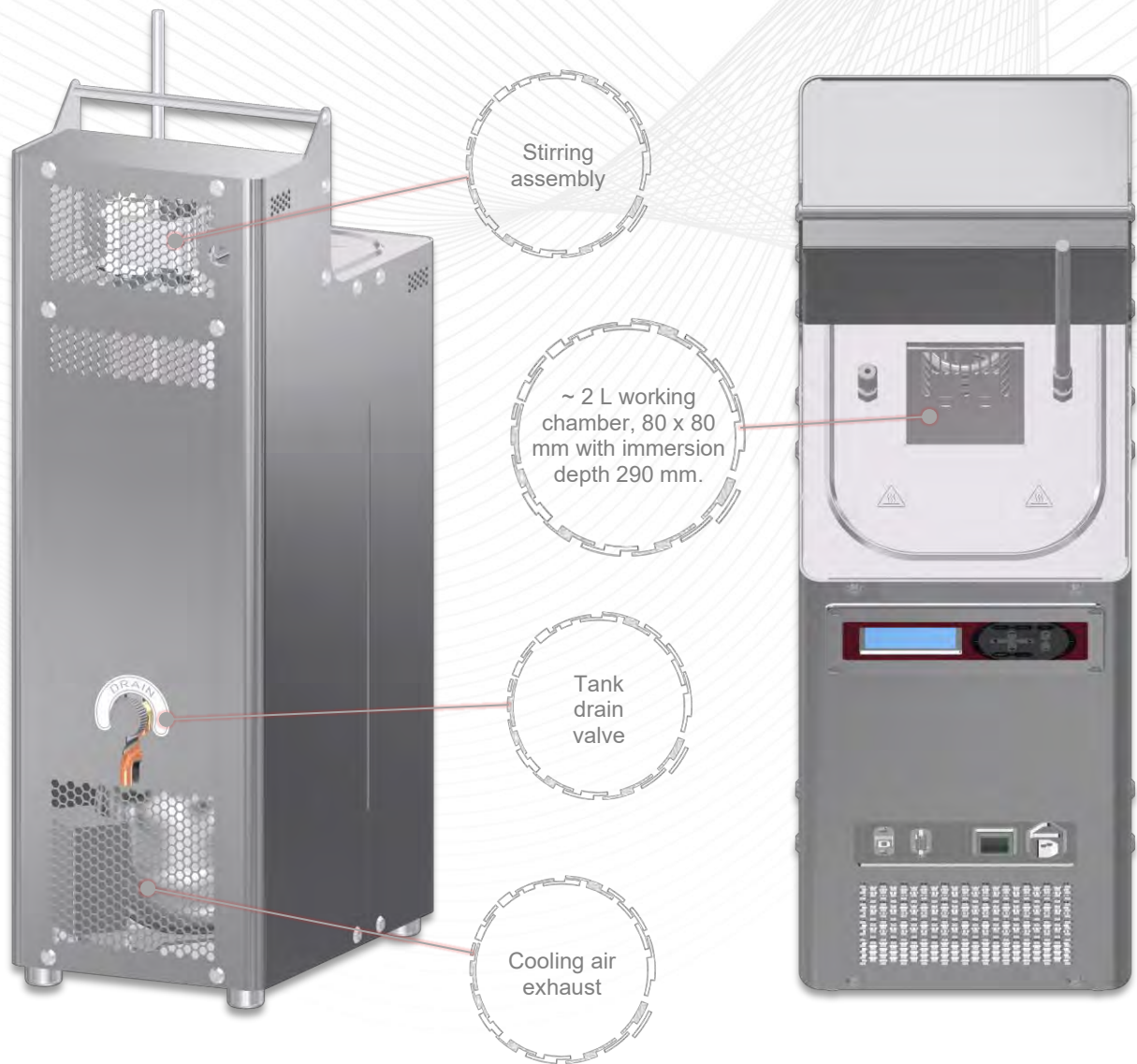


Temperature



Device description:

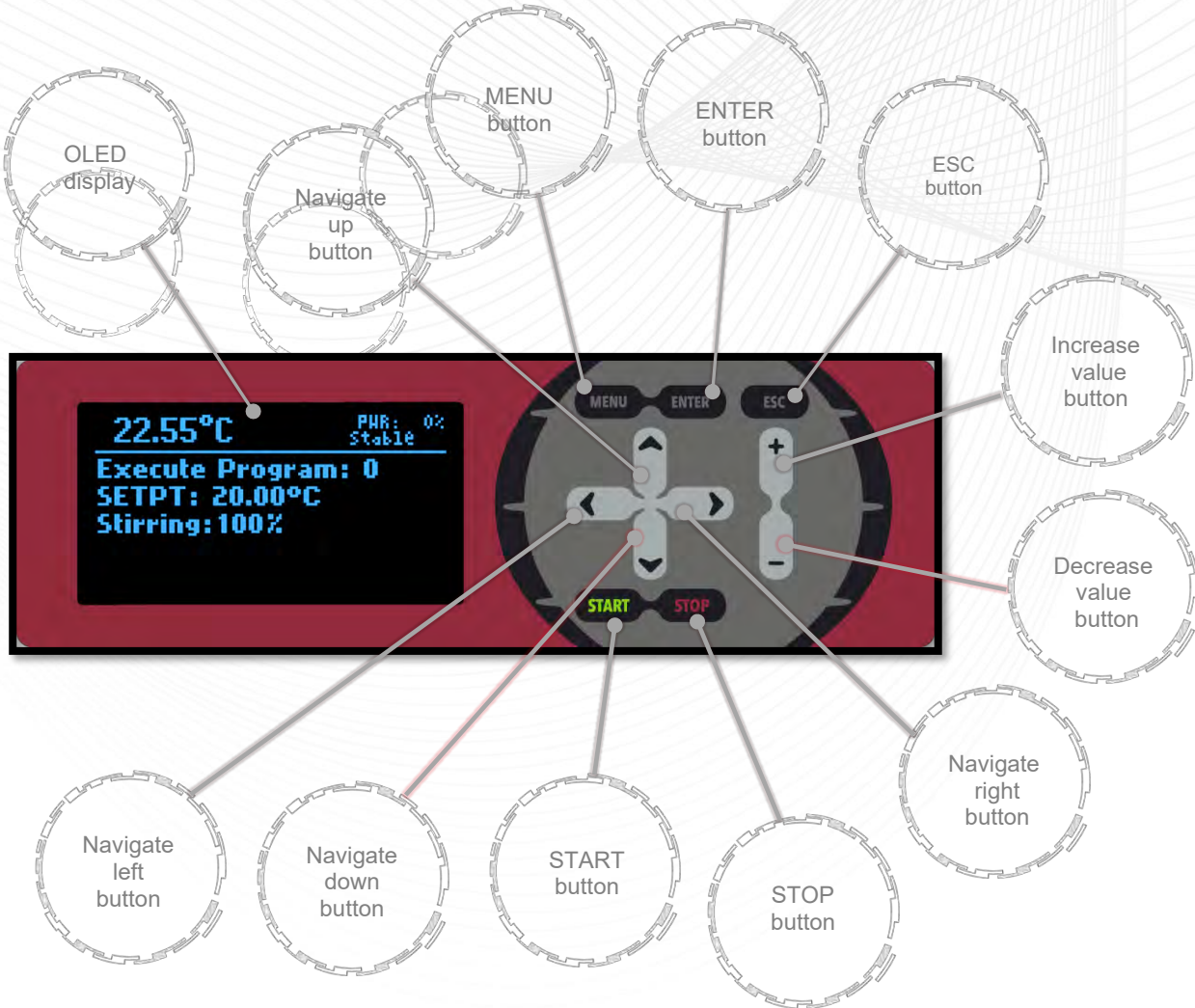




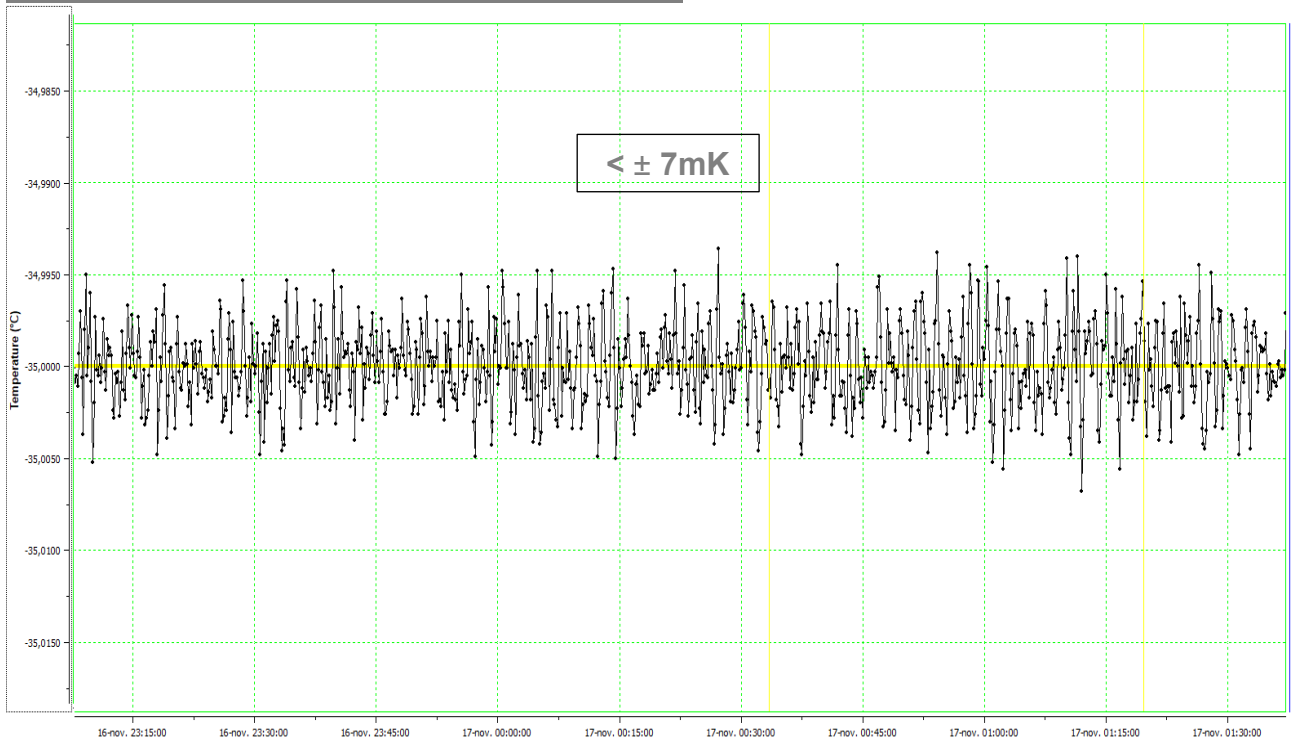
Accessories:





Controller functions:



Bath's temperature stability graph at - 35 °C:



Technical data:

	OBM	OBM-LT
		
External dimensions (WxHxD) in mm	225 x 685 x 330	225 x 685 x 330
Internal dimensions (WxHxD) in mm	80 x 290 x 80	80 x 290 x 80
Volume (L)	~ 4	~ 4
Temperature range (°C)	+ 35 ...+ 220	- 35 ...+ 130
Temperature display resolution (°C)	0.001	0.001
Temperature set resolution (°C)	0.01	0.01
Temperature stability (°C)	± 0.002 @ + 50 °C ± 0.003 @ +100 °C ± 0.008 @ +200 °C	± 0.007 @ - 35 °C ± 0.002 @ + 50 °C ± 0.003 @ +100 °C
Temperature uniformity (°C)	± 0.01 @ + 100 °C	± 0.01 @ + 0 °C
Temperature Control	PID	PID
Power supply	230V 50/60Hz (± 10 %)	230V 50/60Hz (± 10 %)
Wattage (W)	300	650
Interface	RS 232 & USB	RS 232 & USB
Weight (kg)	~ 19	~ 23

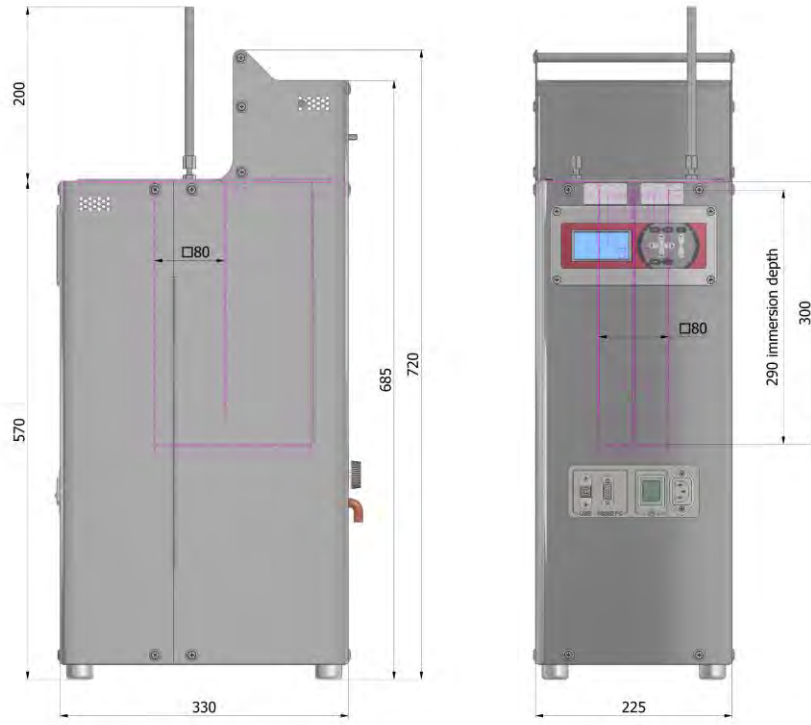
*All performance data with fluid KDC 200.05

*All performance in controlled environment ($T_{\text{ambient}} = 22 \text{ °C} \pm 3 \text{ °C}$)!

*Accessories might affect performance!

Ordering information and accessories:

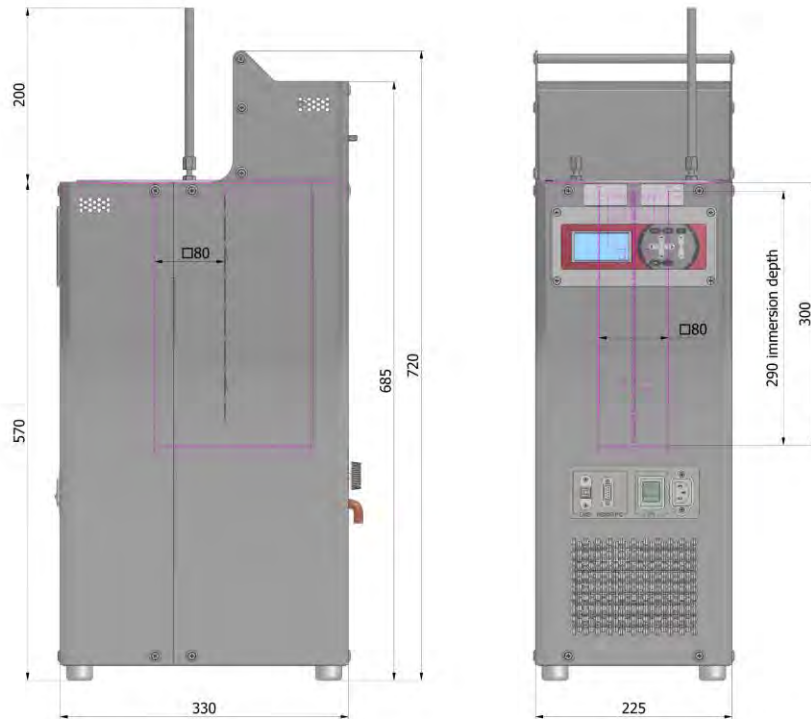
Description	Part no.
Micro calibration bath OBM	1617
Micro calibration bath OBM-LT	1618
Evaluation report – performed by Kambic	1719
Evaluation report (Accredited ISO/IEC 17025:2017)	2997
OBM-Tool (Monitoring and data collection software)	104
Vertical fixture and clip on holder	1638
Adjustable multiple probe fixture	1733
Silicone oil fluid KDC 200.05 (- 40 °C ...+ 130 °C)	645
Silicone oil fluid KDC 200.20 (+ 10 °C ...+ 230 °C)	600
Silicone oil fluid KDC 200.50 (+ 30 °C ...+ 278 °C)	631
Transportation case	1666



SHIPPING	
W	410 mm
H	880 mm
D	610 mm
WEIGHT	22 kg

* we reserve the right to modifications

DIMENSIONAL DRAWING	PRODUCT	MODEL
	MICRO CALIBRATION BATH	OBM
	/	/



SHIPPING	
W	410 mm
H	880 mm
D	610 mm
WEIGHT	26 kg

* we reserve the right to modifications

DIMENSIONAL DRAWING	PRODUCT	MODEL
	MICRO CALIBRATION BATH	OBM-LT
	/	/