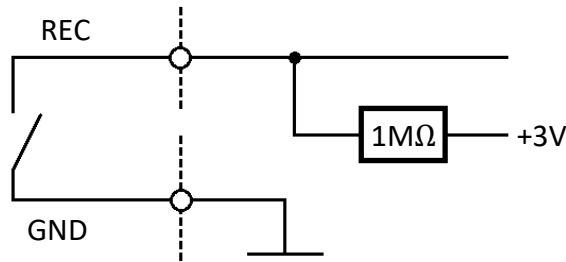


Titel: **FY Control terminal**

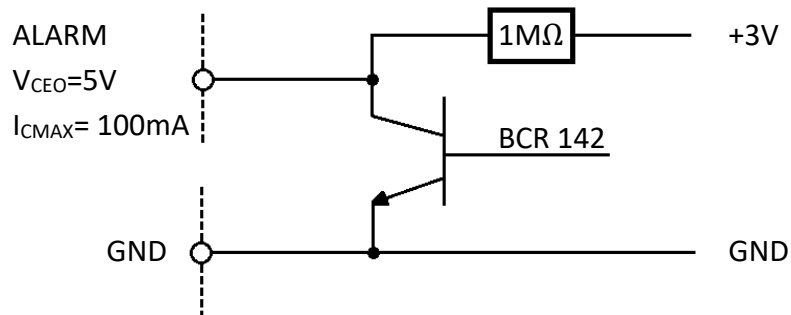
1. Pin Assignment:

- ▶ 3V out
- ▶ ALARM
- ▶ REC
- ▶ GND

2. REC: Recordstart/stop



3. ALARM: Alarm Output



4. GND: Ground