

MPRF Pressure Data Logger

DataTrace[®] RF

Micropack Radio Frequency Pressure Data Logger

The MPRF Pressure Data Logger requires minimal training and features batch programming for fast and simple set up. It captures precise detail by collecting 8,000 data points - 4,000 each for pressure and temperature readings - and can be synchronized to the same clock with multiple MPRF loggers in any combination of loggers.

- Real-Time Data
- 10 Point Pressure NIST Traceable Calibration
- 9 Point Temp NIST Traceable Calibration
- Compact Size (4.6" x 0.9")
- Intrinsically Safe



Ensure precise monitoring across pressure changes within various industries and applications such as:

- Foods, canning and newer cooking pouches
- Beverages, including wine and soda production
- Pharmaceuticals, including autoclaves and EtO sterilization
- Monitoring and testing compressed gas systems
- Pressurized process reactors and streams



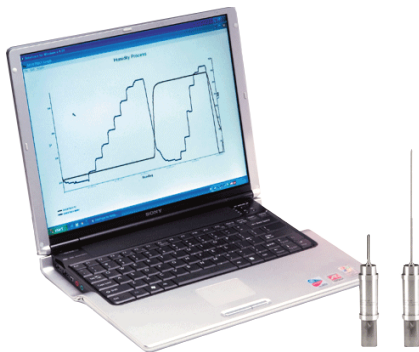
MPRF Pressure Data Logger

Precision under pressure

Each MPRF Pressure Data Logger can collect 8,000 data points for exceptional detail for longer processes. Collected data is visible from one of several real-time displays or logged into DataTrace RF's highly secure, FDA 21 CFR Part 11 compliant DT Pro software and reported in any format you require. Password protected access, electronic signatures and automatic documentation for audit trails streamline your work.

DT Pro Software

Part of a total solution, the MPRF Humidity Logger works with DataTrace RF's, highly secure, FDA 21 CFR Part 11 compliant DT Pro software. No system gives you more flexibility. For example, you can synchronize multiple loggers (in any combination of types) to one clock.



- View real-time data collection
- Customize reports
- Automatically download data and create graphs
- Password protected access
- Electronic signatures
- Automatic documentation

Product Specifications

Operating Temperature:
+25°C to +140°C (+77°F to +284°F)

Temperature Accuracy:
± 0.25°C (± 0.45°F)

Resolution:
0.001 PSI

Operating Pressure:
0 PSIA (0 BAR) to 72.5 PSIA (5 BAR)

Pressure Accuracy:
± 0.3 PSIA (± 0.02 BAR)

Wireless Range:
100 feet (30 meters) Line of Sight

Radio Frequency:
2.4 GHz ISM Band

Physical

Size:
Width: 0.91 in (23.2mm)
Length: 4.62 in (116mm)

Weight:
3.6 oz (103 grams)

Material:
316 stainless steel and ULTEM

Sensor Elements

Temperature: RTD
Pressure: Strain gauge bridge

Mechanical

Calibration:
Factory calibrated (NIST traceable)

Battery Type:
Lithium (field-replaceable)

Battery Life:
6 months to 1 year depending on usage

Battery Weight:
0.6 oz (17 grams)

Clock accuracy:
26 seconds per 24 hours

Certifications:
ATEX (for intrinsic safety)
FCC Class B digital device (part 15 compliant)

Monitoring Parameters

Memory:
4,096 time/temperature/pressure observations and 8,192 in compressed data mode

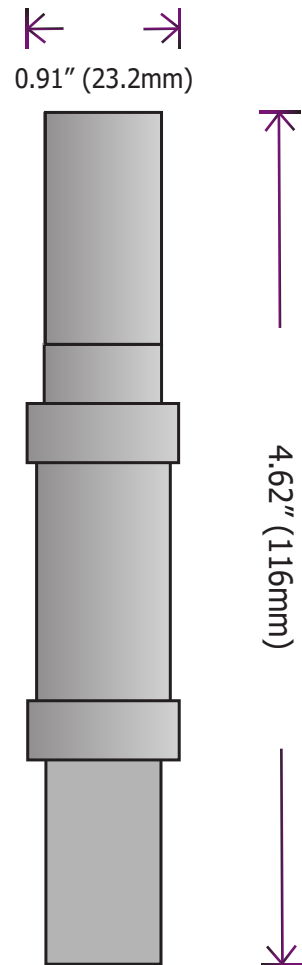
Sample rates:
Operator programmable

- 5 sec. to 1 hr interval with radio
- 1 sec. to 1 hr interval without radio

All specifications subject to change without notice. DataTrace is a registered trademark and Micropack RF is a trademark of Mesa Laboratories, Inc. All other trademarks and registered trademarks are the sole property of their respective owners.

© Copyright 2015 Mesa Laboratories, Inc.

CE  21 CFR Part 11 Compliant



Complete Monitoring System

All MPRF Loggers require an Interface/Host System, which includes robust DT Pro software, an interface/host module and cable.

DT Pro software operates with any combination and number (up to 250) of DataTrace Temperature, Humidity and Pressure Loggers. So instead of dealing with the expense and confusion of disparate monitoring systems, users can validate, monitor, log and analyze data for multiple process parameters using a single integrated, powerful and complete solution.