

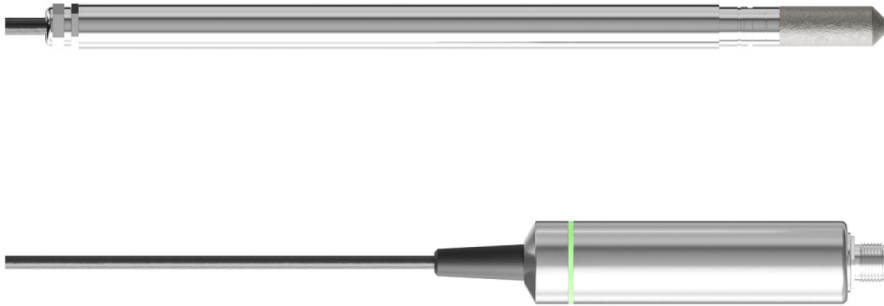


HMP5 Relative Humidity and Temperature Probe

For high temperatures

Features

- RH accuracy up to ± 0.8 %RH
- Temperature accuracy up to ± 0.1 °C (± 0.18 °F)
- Temperature measurement range $-70 \dots +180$ °C ($-94 \dots +356$ °F)
- Operating temperature of probe body $-40 \dots +80$ °C ($-40 \dots +176$ °F)
- Sensor purge improves long-term stability and chemical resistance
- Modbus® RTU over RS-485
- 250-mm (9.84 in) probe allows easy process installation through insulation
- Compatible with Vaisala Indigo products and Insight PC software
- Traceable calibration certificate: 6 points for humidity, 1 point for temperature



Vaisala HUMICAP® Humidity and Temperature Probe HMP5 is designed for high-temperature applications such as baking ovens, pasta dryers, and industrial drying kilns, where measurement performance and chemical tolerance are essential.

Proven Vaisala HUMICAP® performance

Vaisala is the original innovator of the thin-film capacitive humidity measurement technology, which has now become the industry standard in humidity measurement.

HUMICAP® technology results from Vaisala's 40-year experience in industrial humidity measurement, providing the best stability, fast response time, and low hysteresis in a wide range of applications.

Sensor purge minimizes effects of contaminants

In environments with high concentrations of chemicals and cleaning agents, the sensor purge option helps to maintain measurement accuracy between calibration intervals.

Sensor purge involves heating the sensor to remove harmful chemicals. The function can be initiated manually or programmed to occur at set intervals.

Flexible connectivity

The probe can be used as a standalone digital Modbus RTU transmitter over an RS-485 serial bus, and it can also be connected to Indigo transmitters and the Indigo80 handheld indicator. For easy-to-use access to field calibration, device analytics, and configuration functionality, the probe can be connected to Vaisala Insight software for Windows®. For more information, see www.vaisala.com/insight.

Vaisala Indigo product family

Indigo transmitters extend the capabilities of Indigo-compatible measurement probes. The transmitters can display measurements on the spot as well as transmit them to automation systems through analog signals, digital outputs, and relays. Cable length between probe and transmitter can be extended to up to 30 meters.

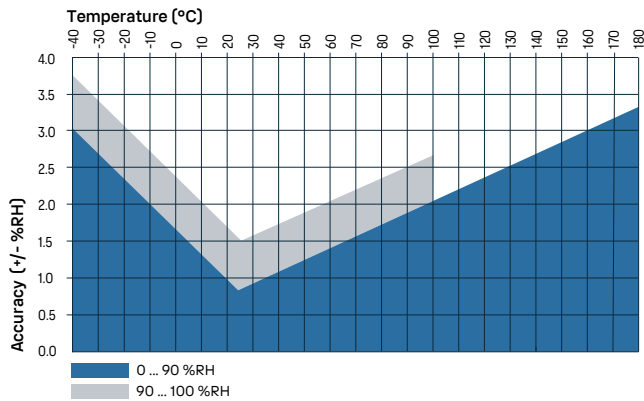
The Indigo80 handheld indicator is ideal for spot-checking and process monitoring, as well as for configuring, troubleshooting, calibrating, and adjusting the probe. For more information, see www.vaisala.com/indigo.

Technical data

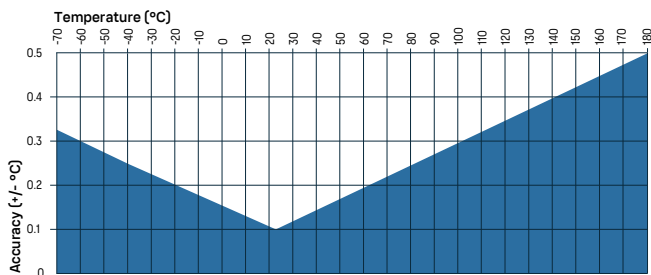
Measurement performance

Relative humidity	
Measurement range	0–100 %RH, at max. +95 °C (203 °F) T _d
Accuracy at +23 °C (+73.4 °F) ¹⁾	±0.8 %RH (0–90 %RH)
Factory calibration uncertainty ²⁾	±0.5 %RH (0–40 %RH) ±0.8 %RH (40–95 %RH)
T ₆₃ response time	15 s
Sensor options	HUMICAP® R2 HUMICAP® R2C ³⁾
Temperature	
Measurement range	–70 ... +180 °C (–94 ... +356 °F)
Accuracy at +23 °C (+73.4 °F) ¹⁾	±0.1 °C (±0.18 °F)
Factory calibration uncertainty ²⁾	±0.1 °C (±0.18 °F) at +23 °C (+73.4 °F)
Sensor	Pt100 RTD Class FO.1 IEC 60751

- 1) Defined against calibration reference. Including non-linearity, hysteresis, and repeatability.
 2) Defined as ±2 standard deviation limits. Small variations possible; see calibration certificate.
 3) Sensor purge feature available with this sensor.



HMP5 humidity measurement accuracy as a function of temperature



HMP5 temperature measurement accuracy over full range

Operating environment

Operating temperature of probe body	–40 ... +80 °C (–40 ... +176 °F)
Operating temperature of probe head	–70 ... +180 °C (–94 ... +356 °F)
Operating humidity of probe head	Max. +100 °C (212 °F) T _d
Storage temperature	–40 ... +80 °C (–40 ... +176 °F)
Operating environment	Suitable for outdoor use
IP rating of probe body	IP66

Inputs and outputs

Operating voltage	15–30 V DC
Current consumption	10 mA typical, 500 mA max.
Digital output	RS-485, non-isolated
Protocols	Modbus RTU

Output parameters

Absolute humidity (g/m ³)	Relative humidity (%RH)
Absolute humidity at NTP (g/m ³)	Relative humidity (dew/frost) (%RH)
Dew point temperature (°C)	Temperature (°C)
Dew/frost point temperature (°C)	Water concentration (ppm _v)
Dew/frost point temperature at 1 atm (°C)	Water concentration (wet basis) (vol-%)
Dew point temperature at 1 atm (°C)	Water mass fraction (ppm _w)
Dew point temperature difference (°C)	Water vapor pressure (hPa)
Enthalpy (kJ/kg)	Water vapor saturation pressure (hPa)
Mixing ratio (g/kg)	Wet-bulb temperature (°C)

Compliance

EU directives and regulations	EMC Directive (2014/30/EU) RoHS Directive (2011/65/EU) as amended by 2015/863
Electromagnetic compatibility (EMC)	EN 61326-1, industrial environment
Type approvals	DNV GL certificate no. TAA00002YT
Compliance marks	CE, China RoHS, RCM



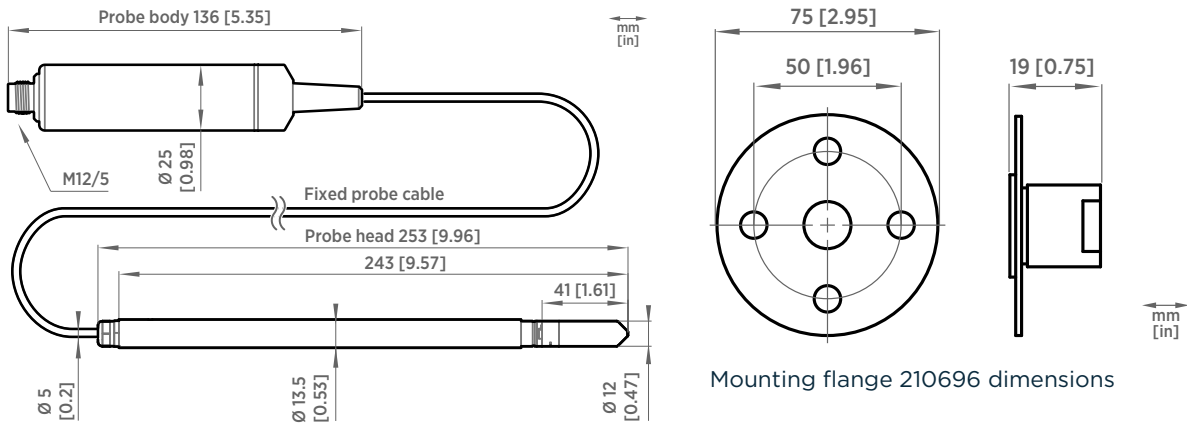
Mechanical specifications

Connector	M12 5-pin A-coded male
Weight (with a 2-m cable)	436 g (15.37 oz)
Probe cable length	2 m (6.56 ft) or 10 m (32.8 ft)
Materials	
Probe	AISI 316L
Probe body	AISI 316L
Cable jacket	FEP

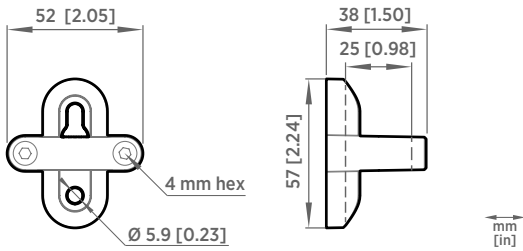
Accessories

Mounting flange	210696
Indigo USB adapter ¹⁾	USB2
Calibration adapter for HMK15	211302SP

¹⁾ Vaisala Insight software for Windows available at www.vaisala.com/insight.



HMP5 probe dimensions



Probe holder ASM213582 dimensions