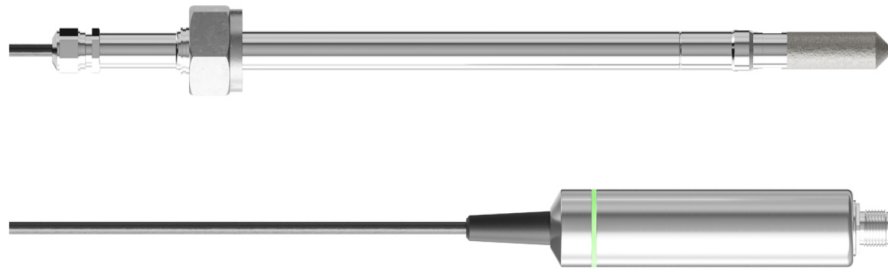




# HMP8 Relative Humidity and Temperature Probe

For pressurized and vacuum processes



## Features

- RH accuracy up to  $\pm 0.8$  %RH
- Temperature accuracy up to  $\pm 0.1$  °C ( $\pm 0.18$  °F)
- Operating pressure 0–40 bar
- Temperature measurement range  $-70 \dots +180$  °C ( $-94 \dots +356$  °F)
- Sensor purge improves long-term stability and chemical resistance
- Probe installation depth can be freely adjusted and probe can be hot-swapped from pressurized pipelines with an optional ball valve kit
- Modbus® RTU over RS-485
- Compatible with Vaisala Indigo products and Insight PC software
- Traceable calibration certificate: 6 points for humidity, 1 point for temperature

Vaisala HUMICAP® Humidity and Temperature Probe HMP8 is designed for pressurized applications in compressed air systems, refrigerant dryers, and other pressurized industrial applications, where easy insertion and removal of the probe and adjustable installation depth into the pipeline are needed.

## Proven Vaisala HUMICAP® performance

Vaisala is the original innovator of the thin-film capacitive humidity measurement technology, which has now become the industry standard in humidity measurement.

HUMICAP® technology results from Vaisala's 40-year experience in industrial humidity measurement, providing the best stability, fast response time, and low hysteresis in a wide range of applications.

## Sensor purge minimizes effects of contaminants

In environments with high concentrations of chemicals and cleaning agents, the sensor purge option helps to maintain measurement accuracy between calibration intervals.

Sensor purge involves heating the sensor to remove harmful chemicals. The function can be initiated manually or programmed to occur at set intervals.

## Flexible connectivity

The probe can be used as a standalone digital Modbus RTU transmitter over an RS-485 serial bus, and it can also be connected to Indigo transmitters and the Indigo80 handheld indicator. For easy-to-use access to field calibration, device analytics, and configuration functionality, the probe can be connected to Vaisala Insight software for Windows®. For more information, see [www.vaisala.com/insight](http://www.vaisala.com/insight).

## Vaisala Indigo product family

Indigo transmitters extend the capabilities of Indigo-compatible measurement probes. The transmitters can display measurements on the spot as well as transmit them to automation systems through analog signals, digital outputs, and relays. Cable length between probe and transmitter can be extended to up to 30 meters.

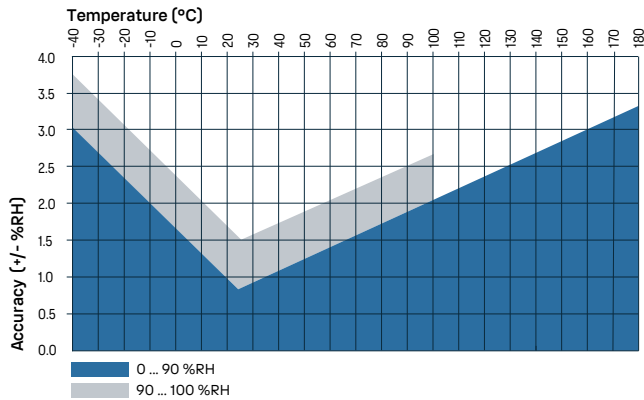
The Indigo80 handheld indicator is ideal for spot-checking and process monitoring, as well as for configuring, troubleshooting, calibrating, and adjusting the probe. For more information, see [www.vaisala.com/indigo](http://www.vaisala.com/indigo).

# Technical data

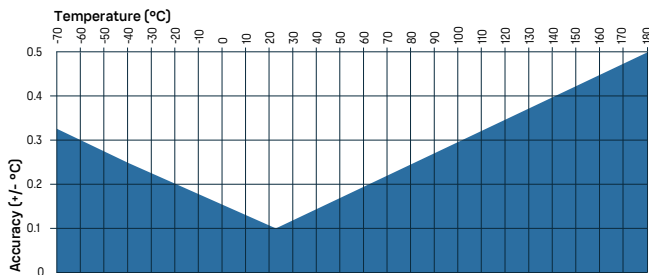
## Measurement performance

Relative humidity	
Measurement range	0-100 %RH, at max. +95 °C (203 °F) T <sub>d</sub>
Accuracy at +23 °C (+73.4 °F) <sup>1)</sup>	±0.8 %RH (0-90 %RH)
Factory calibration uncertainty <sup>2)</sup>	±0.5 %RH (0-40 %RH) ±0.8 %RH (40-95 %RH)
T <sub>63</sub> response time	15 s
Sensor options	HUMICAP® R2 HUMICAP® R2C <sup>3)</sup>
Temperature	
Measurement range	-70 ... +180 °C (-94 ... +356 °F)
Accuracy at +23 °C (+73.4 °F) <sup>1)</sup>	±0.1 °C (±0.18 °F)
Factory calibration uncertainty <sup>2)</sup>	±0.1 °C (±0.18 °F) at +23 °C (+73.4 °F)
Sensor	Pt100 RTD Class F0.1 IEC 60751

- 1) Defined against calibration reference. Including non-linearity, hysteresis, and repeatability.  
 2) Defined as ±2 standard deviation limits. Small variations possible; see calibration certificate.  
 3) Sensor purge feature available with this sensor.



HMP8 humidity measurement accuracy as a function of temperature



HMP8 temperature measurement accuracy over full range

## Operating environment

Operating temperature of probe body	-40 ... +80 °C (-40 ... +176 °F)
Operating temperature of probe head	-70 ... +180 °C (-94 ... +356 °F)
Operating humidity of probe head	Max. +100 °C (212 °F) T <sub>d</sub>
Storage temperature	-40 ... +80 °C (-40 ... +176 °F)
Operational pressure	< 40 bar
Operating environment	Suitable for outdoor use
Measurement environment	For air, nitrogen, hydrogen, argon, helium, oxygen, and vacuum <sup>1)</sup>
IP rating of probe body	IP66
Ball valve	
Operating temperature	Up to +100 °C (+212 °F)
Operating pressure	Up to 40 bar (580 psi), absolute

<sup>1)</sup> Consult Vaisala if other chemicals are present. Consider safety regulations with flammable gases.

## Inputs and outputs

Operating voltage	15-30 V DC
Current consumption	10 mA typical, 500 mA max.
Digital output	RS-485, non-isolated
Protocols	Modbus RTU

## Output parameters

Absolute humidity (g/m <sup>3</sup> )	Relative humidity (%RH)
Absolute humidity at NTP (g/m <sup>3</sup> )	Relative humidity (dew/frost) (%RH)
Dew point temperature (°C)	Temperature (°C)
Dew/frost point temperature (°C)	Water concentration (ppm <sub>w</sub> )
Dew/frost point temperature at 1 atm (°C)	Water concentration (wet basis) (vol-%)
Dew point temperature at 1 atm (°C)	Water mass fraction (ppm <sub>w</sub> )
Dew point temperature difference (°C)	Water vapor pressure (hPa)
Enthalpy (kJ/kg)	Water vapor saturation pressure (hPa)
Mixing ratio (g/kg)	Wet-bulb temperature (°C)

## Compliance

EU directives and regulations	EMC Directive (2014/30/EU) RoHS Directive (2011/65/EU) as amended by 2015/863
Electromagnetic compatibility (EMC)	EN 61326-1, industrial environment
Type approvals	DNV GL certificate no. TAA00002YT
Compliance marks	CE, China RoHS, RCM



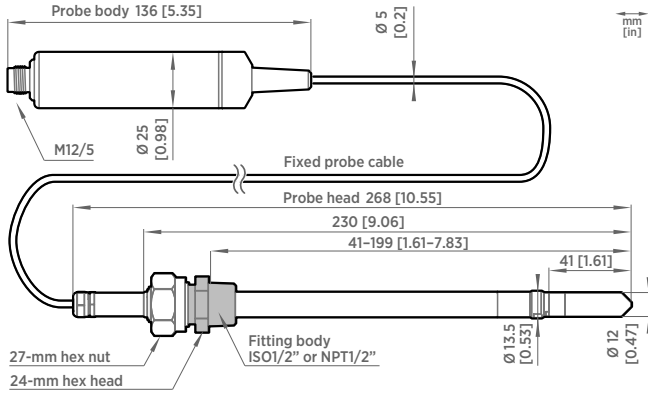
## Mechanical specifications

Connector	M12 5-pin A-coded male
Probe fitting	ISO1/2" and NPT1/2" fittings included
Weight (with a 2-m cable)	512 g (18.1 oz)
Probe cable length	2 m (6.56 ft) or 10 m (32.80 ft)
Materials	
Probe	AISI 316L
Probe body	AISI 316L
Cable jacket	FEP

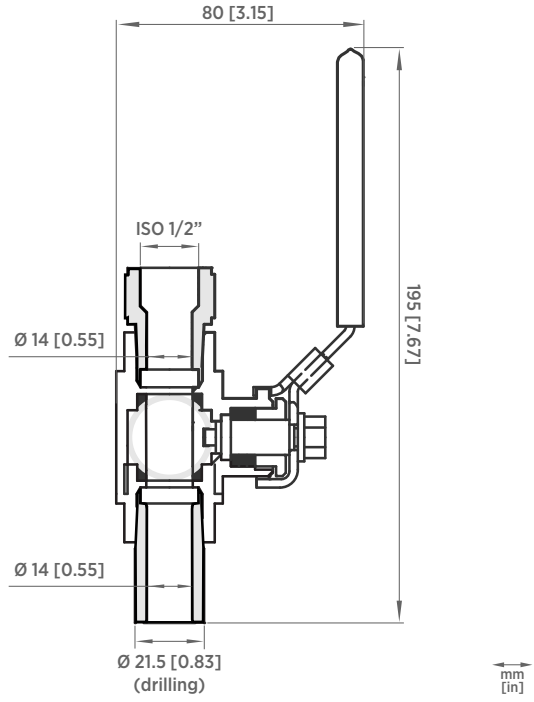
## Accessories

Ball valve kit ISO 1/2" with welding joint	BALLVALVE-1
Indigo USB adapter <sup>1)</sup>	USB2
Calibration adapter for HMK15	211302SP
Weatherproof carrying case for Indigo80 and a series 8 probe <sup>2)</sup>	ASM215318

1) Vaisala Insight software for Windows available at [www.vaisala.com/insight](http://www.vaisala.com/insight).  
 2) For example, MMP8, HMP8, or DMP8 with a max. 2-m (6.6-ft) probe connection cable.



HMP8 probe dimensions



Ball valve kit dimensions