

# DataTrace® MPIII

## Data Loggers

From chilling, freezing and room temperature to pasteurization, EtO sterilization and depyrogenation, MPIII Temp, HiTemp and HiTemp EXT Loggers provide accurate data over a wide range with remarkable ease. Their small size increases versatility and precision by allowing you to position Loggers very near or inside monitored items.

- + 17 Point Temp NIST Traceable Calibration
- + FDA 21 CFR Part 11 Compliant Software
- + Intrinsically Safe

**DataTrace** makes it easy to monitor processes across a spectrum of temperatures in industries and situations such as:

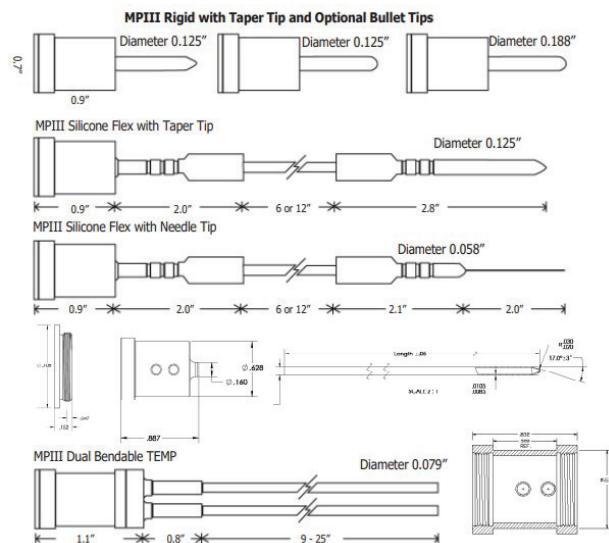
### Pharmaceuticals

- + Food and beverages
- + Medical
- + Sterilizer validation
- + Thermal processing for electronic, chemical, aerospace and other industries
- + Process equipment and sterilization
- + Product handling and storage
- + Textile manufacturing



### Product Specifications

<b>Size:</b>	Width 0.7 in. (18mm) Length: 0.9 in. (23mm)**
<b>Weight</b>	0.5 oz. (15 grams)**
<b>Material</b>	316 stainless steel; Sapphire IR windows
<b>Memory</b>	16,000 time/temperature observations
<b>Sample rates</b>	Operator programmable 1 sec. to 1 hr. intervals
<b>Operating Temperatures</b>	MPIII Temp and MPIII Dual Temp: -20°C (-4°F) to +140°C (+284°F) MPIII HiTemp*: +100°C (+212°F) to +360°C (+680°F) w/Thermal Pack MPIII HiTemp EXT*: -20°C (-4°F) to +400°C (+752°F) w/Thermal Pack Resolution: 0.001°C
<b>Temperature Accuracy</b>	MPIII Temp/Dual: ± 0.1°C (± 0.2°F) MPIII HiTemp*: ± 0.5°C (± 0.9°F) MPIII HiTemp EXT*: ± 0.25°C (± 0.45°F)
<b>Operating Pressure:</b>	For all 3 models: Up to 10 Bar
<b>Calibration</b>	Factory calibrated (NIST traceable) Field calibration (MPIII Temp/Dual only)



Rev.10.2022

# DataTrace® MPIII

## Data Loggers



From chilling, freezing and room temperature to pasteurization, EtO sterilization and depyrogenation, MPIII Temp, HiTemp and HiTemp EXT Loggers provide accurate data over a wide range with remarkable ease. Their small size increases versatility and precision by allowing you to position Loggers very near or inside monitored items.

- + 17 Point Temp NIST Traceable Calibration
- + FDA 21 CFR Part 11 Compliant Software
- + Intrinsically Safe

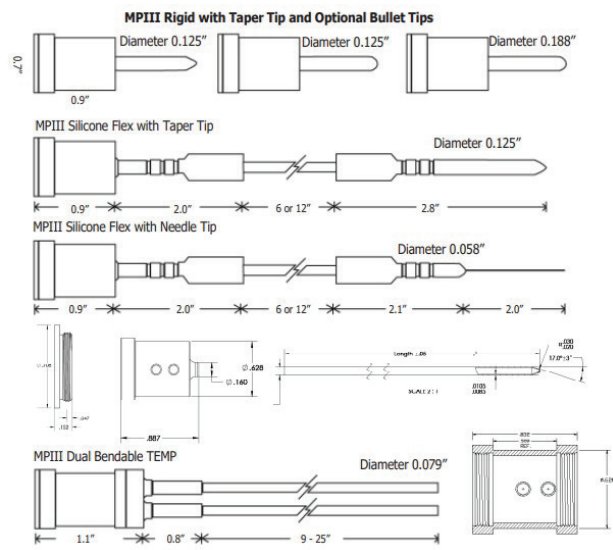
**DataTrace** makes it easy to monitor processes across a spectrum of temperatures in industries and situations such as:

### Pharmaceuticals

- + Food and beverages
- + Medical
- + Sterilizer validation
- + Thermal processing for electronic, chemical, aerospace and other industries
- + Process equipment and sterilization
- + Product handling and storage
- + Textile manufacturing



Product Specifications	
<b>Size:</b>	Width 0.7 in. (18mm) Length: 0.9 in. (23mm)**
<b>Weight</b>	0.5 oz. (15 grams)**
<b>Material</b>	316 stainless steel; Sapphire IR windows
<b>Memory</b>	16,000 time/temperature observations
<b>Sample rates</b>	Operator programmable 1 sec. to 1 hr. intervals
<b>Operating Temperatures</b>	MPIII Temp and MPIII Dual Temp: -20°C (-4°F) to +140°C (+284°F)
	MPIII HiTemp*: +100°C (+212°F) to +360°C (+680°F) w/Thermal Pack
	MPIII HiTemp EXT*: -20°C (-4°F) to +400°C (+752°F) w/Thermal Pack Resolution: 0.001°C
<b>Temperature Accuracy</b>	MPIII Temp/Dual: ± 0.1°C (± 0.2°F) MPIII HiTemp*: ± 0.5°C (± 0.9°F) MPIII HiTemp EXT*: ± 0.25°C (± 0.45°F)
<b>Operating Pressure:</b>	For all 3 models: Up to 10 Bar
<b>Calibration</b>	Factory calibrated (NIST traceable) Field calibration (MPIII Temp/Dual only)



Rev.10.2022

# Micropack (MPIII) Loggers

Micropack III's small size makes it easy to position your data logger very near or even inside monitored items

Part Number	Logger Type	Probe Length (Inches)	Temperature Range	Tip Diameter
127523-505-R	MPIII Temp Rigid	1"	-20°C (-4°F) to +140°C (+284°F)	1/8" Taper Tip
127523-506-R	MPIII Temp Rigid	1.5"	-20°C (-4°F) to +140°C (+284°F)	1/8" Taper Tip
127523-501-R	MPIII Temp Rigid	2"	-20°C (-4°F) to +140°C (+284°F)	1/8" Taper Tip
127523-502-R	MPIII Temp Rigid	3"	-20°C (-4°F) to +140°C (+284°F)	1/8" Taper Tip
127523-503-R	MPIII Temp Rigid	4"	-20°C (-4°F) to +140°C (+284°F)	1/8" Taper Tip
127523-504-R	MPIII Temp Rigid	5"	-20°C (-4°F) to +140°C (+284°F)	1/8" Taper Tip
127180-6IS-R	MPIII Temp Rigid	6"	-20°C (-4°F) to +140°C (+284°F)	3/16" Taper Tip
127523-520-R	MPIII Temp Rigid	Custom	-20°C (-4°F) to +140°C (+284°F)	1/8" Taper Tip
127180-XIS-R	MPIII Temp Rigid	Custom	-20°C (-4°F) to +140°C (+284°F)	3/16" Taper Tip
127113-505-R	MPIII Temp Rigid	1"	-20°C (-4°F) to +140°C (+284°F)	1/8" Taper Tip
127213-501-R	MPIII Temp Rigid	2"	-20°C (-4°F) to +140°C (+284°F)	3/16" Taper Tip
127113-502-R	MPIII Temp Rigid	3"	-20°C (-4°F) to +140°C (+284°F)	1/8" Taper Tip
127113-503-R	MPIII Temp Rigid	4"	-20°C (-4°F) to +140°C (+284°F)	1/8" Taper Tip
127113-504-R	MPIII Temp Rigid	5"	-20°C (-4°F) to +140°C (+284°F)	1/8" Taper Tip
127213-508-R	MPIII Temp Rigid	7.5"	-20°C (-4°F) to +140°C (+284°F)	3/16" Taper Tip
127213-520-R	MPIII Temp Rigid	Custom	-20°C (-4°F) to +140°C (+284°F)	3/16" Taper Tip
127678-505-R	MPIII Temp Rigid	1"	-20°C (-4°F) to +140°C (+284°F)	0.058"
127678-501-R	MPIII Temp Rigid	1.5"	-20°C (-4°F) to +140°C (+284°F)	0.058"
127678-502-R	MPIII Temp Rigid	2"	-20°C (-4°F) to +140°C (+284°F)	0.058"
127678-503-R	MPIII Temp Rigid	3"	-20°C (-4°F) to +140°C (+284°F)	0.058"
127678-504-R	MPIII Temp Rigid	4"	-20°C (-4°F) to +140°C (+284°F)	0.058"
127678-520-R	MPIII Temp Rigid	5"	-20°C (-4°F) to +140°C (+284°F)	0.058"
127678-521-R	MPIII Temp Rigid	Custom	-20°C (-4°F) to +140°C (+284°F)	0.058"
137001-541-R	MPIII Humidity	5.61"	0°C to +85°C (32°F to +185°F)	N/A
147002-05-R	MPIII Pressure	4.62"	+25°C to +140°C (+77°F to +284°F)	N/A
147002-10-R	MPIII Pressure	4.62"	+25°C to +140°C (+77°F to +284°F)	N/A
124947-021-R	MPIII Temp SS Bendable	250mm	-20°C (-4°F) to +140°C (+284°F)	0.079"
124947-023-R	MPIII Temp SS Bendable	250mm	-20°C (-4°F) to +400°C (+752°F)	0.079"
124947-031-R	MPIII Temp SS Bendable	350mm	-20°C (-4°F) to +140°C (+284°F)	0.079"
124947-033-R	MPIII Temp SS Bendable	650mm	-20°C (-4°F) to +400°C (+752°F)	0.079"
124947-061-R	MPIII Temp SS Bendable	650mm	-20°C (-4°F) to +140°C (+284°F)	0.079"
124947-063-R	MPIII Temp SS Bendable	650mm	-20°C (-4°F) to +400°C (+752°F)	0.079"
124947-0X1-LR	MPIII Temp SS Bendable	Custom	-20°C (-4°F) to +140°C (+284°F)	0.079"
124947-0X1-R	MPIII Temp SS Bendable	Custom	-20°C (-4°F) to +140°C (+284°F)	0.079"
124947-0X3-R	MPIII Temp SS Bendable	Custom	-20°C (-4°F) to +400°C (+752°F)	0.079"
127695-517-R	MPIII Temp SS Flex	6"	-20°C (-4°F) to +140°C (+284°F)	0.058"
127684-517-R	MPIII Temp SS Flex	6"	-20°C (-4°F) to +400°C (+752°F)	0.058"
127684-502-R	MPIII Temp SS Flex	12"	-20°C (-4°F) to +400°C (+752°F)	0.058"
127695-502-R	MPIII Temp SS Flex	12"	-20°C (-4°F) to +140°C (+284°F)	0.058"
127144-021-R	MPIII Temp Dual SS Bendable	250mm	-20°C (-4°F) to +140°C (+284°F)	0.079"
127144-023-R	MPIII Temp Dual SS Bendable	250mm	-20°C (-4°F) to +400°C (+752°F)	0.079"
127144-031-R	MPIII Temp Dual SS Bendable	350mm	-20°C (-4°F) to +140°C (+284°F)	0.079"
127144-033-R	MPIII Temp Dual SS Bendable	350mm	-20°C (-4°F) to +400°C (+752°F)	0.079"
127144-061-R	MPIII Temp Dual SS Bendable	650mm	-20°C (-4°F) to +140°C (+284°F)	0.079"
127144-061-R	MPIII Temp Dual SS Bendable	650mm	-20°C (-4°F) to +140°C (+284°F)	0.079"
127700-514-R	MPIII Temp Dual Silicone Flex	305mm	-20°C (-4°F) to +140°C (+284°F)	0.058"
127700-520-R	MPIII Temp Dual Silicone Flex	Custom	-20°C (-4°F) to +140°C (+284°F)	0.058"
127705-520-R	MPIII Temp Dual Silicone Flex	Custom	-20°C (-4°F) to +140°C (+284°F)	0.058"
127710-502-R	MPIII Temp Dual Silicone Flex	12"	-20°C (-4°F) to +140°C (+284°F)	1/8" Taper Tip
127710-517-R	MPIII Temp Dual Silicone Flex	6"	-20°C (-4°F) to +140°C (+284°F)	1/8" Taper Tip
127710-520-R	MPIII Temp Dual Silicone Flex		-20°C (-4°F) to +140°C (+284°F)	1/8" Taper Tip
127144-XX1-R	MPIII Temp Dual Custom Probes Combos		-20°C (-4°F) to +140°C (+284°F)	0.079"
127700-521-R	MPIII Temp Dual Custom Probes Combos		-20°C (-4°F) to +140°C (+284°F)	1/8" Taper Tip
127700-522-R	MPIII Temp Dual Custom Probes Combos		-20°C (-4°F) to +140°C (+284°F)	1/8" Taper Tip

# Micropack (MPIII) Loggers

Micropack III's small size makes it easy to position your data logger very near or even inside monitored items

Part Number	Logger Type	Probe Length (Inches)	Temperature Range	Tip Diameter
127523-505-R	MPIII Temp Rigid	1"	-20°C (-4°F) to +140°C (+284°F)	1/8" Taper Tip
127523-506-R	MPIII Temp Rigid	1.5"	-20°C (-4°F) to +140°C (+284°F)	1/8" Taper Tip
127523-501-R	MPIII Temp Rigid	2"	-20°C (-4°F) to +140°C (+284°F)	1/8" Taper Tip
127523-502-R	MPIII Temp Rigid	3"	-20°C (-4°F) to +140°C (+284°F)	1/8" Taper Tip
127523-503-R	MPIII Temp Rigid	4"	-20°C (-4°F) to +140°C (+284°F)	1/8" Taper Tip
127523-504-R	MPIII Temp Rigid	5"	-20°C (-4°F) to +140°C (+284°F)	1/8" Taper Tip
127180-6IS-R	MPIII Temp Rigid	6"	-20°C (-4°F) to +140°C (+284°F)	3/16" Taper Tip
127523-520-R	MPIII Temp Rigid	Custom	-20°C (-4°F) to +140°C (+284°F)	1/8" Taper Tip
127180-XIS-R	MPIII Temp Rigid	Custom	-20°C (-4°F) to +140°C (+284°F)	3/16" Taper Tip
127113-505-R	MPIII Temp Rigid	1"	-20°C (-4°F) to +140°C (+284°F)	1/8" Taper Tip
127213-501-R	MPIII Temp Rigid	2"	-20°C (-4°F) to +140°C (+284°F)	3/16" Taper Tip
127113-502-R	MPIII Temp Rigid	3"	-20°C (-4°F) to +140°C (+284°F)	1/8" Taper Tip
127113-503-R	MPIII Temp Rigid	4"	-20°C (-4°F) to +140°C (+284°F)	1/8" Taper Tip
127113-504-R	MPIII Temp Rigid	5"	-20°C (-4°F) to +140°C (+284°F)	1/8" Taper Tip
127213-508-R	MPIII Temp Rigid	7.5"	-20°C (-4°F) to +140°C (+284°F)	3/16" Taper Tip
127213-520-R	MPIII Temp Rigid	Custom	-20°C (-4°F) to +140°C (+284°F)	3/16" Taper Tip
127678-505-R	MPIII Temp Rigid	1"	-20°C (-4°F) to +140°C (+284°F)	0.058"
127678-501-R	MPIII Temp Rigid	1.5"	-20°C (-4°F) to +140°C (+284°F)	0.058"
127678-502-R	MPIII Temp Rigid	2"	-20°C (-4°F) to +140°C (+284°F)	0.058"
127678-503-R	MPIII Temp Rigid	3"	-20°C (-4°F) to +140°C (+284°F)	0.058"
127678-504-R	MPIII Temp Rigid	4"	-20°C (-4°F) to +140°C (+284°F)	0.058"
127678-520-R	MPIII Temp Rigid	5"	-20°C (-4°F) to +140°C (+284°F)	0.058"
127678-521-R	MPIII Temp Rigid	Custom	-20°C (-4°F) to +140°C (+284°F)	0.058"
137001-541-R	MPIII Humidity	5.61"	0°C to +85°C (32°F to +185°F)	N/A
147002-05-R	MPIII Pressure	4.62"	+25°C to +140°C (+77°F to +284°F)	N/A
147002-10-R	MPIII Pressure	4.62"	+25°C to +140°C (+77°F to +284°F)	N/A
124947-021-R	MPIII Temp SS Bendable	250mm	-20°C (-4°F) to +140°C (+284°F)	0.079"
124947-023-R	MPIII Temp SS Bendable	250mm	-20°C (-4°F) to +400°C (+752°F)	0.079"
124947-031-R	MPIII Temp SS Bendable	350mm	-20°C (-4°F) to +140°C (+284°F)	0.079"
124947-033-R	MPIII Temp SS Bendable	650mm	-20°C (-4°F) to +400°C (+752°F)	0.079"
124947-061-R	MPIII Temp SS Bendable	650mm	-20°C (-4°F) to +140°C (+284°F)	0.079"
124947-063-R	MPIII Temp SS Bendable	650mm	-20°C (-4°F) to +400°C (+752°F)	0.079"
124947-0X1-LR	MPIII Temp SS Bendable	Custom	-20°C (-4°F) to +140°C (+284°F)	0.079"
124947-0X1-R	MPIII Temp SS Bendable	Custom	-20°C (-4°F) to +140°C (+284°F)	0.079"
124947-0X3-R	MPIII Temp SS Bendable	Custom	-20°C (-4°F) to +400°C (+752°F)	0.079"
127695-517-R	MPIII Temp SS Flex	6"	-20°C (-4°F) to +140°C (+284°F)	0.058"
127684-517-R	MPIII Temp SS Flex	6"	-20°C (-4°F) to +400°C (+752°F)	0.058"
127684-502-R	MPIII Temp SS Flex	12"	-20°C (-4°F) to +400°C (+752°F)	0.058"
127695-502-R	MPIII Temp SS Flex	12"	-20°C (-4°F) to +140°C (+284°F)	0.058"
127144-021-R	MPIII Temp Dual SS Bendable	250mm	-20°C (-4°F) to +140°C (+284°F)	0.079"
127144-023-R	MPIII Temp Dual SS Bendable	250mm	-20°C (-4°F) to +400°C (+752°F)	0.079"
127144-031-R	MPIII Temp Dual SS Bendable	350mm	-20°C (-4°F) to +140°C (+284°F)	0.079"
127144-033-R	MPIII Temp Dual SS Bendable	350mm	-20°C (-4°F) to +400°C (+752°F)	0.079"
127144-061-R	MPIII Temp Dual SS Bendable	650mm	-20°C (-4°F) to +140°C (+284°F)	0.079"
127144-061-R	MPIII Temp Dual SS Bendable	650mm	-20°C (-4°F) to +140°C (+284°F)	0.079"
127700-514-R	MPIII Temp Dual Silicone Flex	305mm	-20°C (-4°F) to +140°C (+284°F)	0.058"
127700-520-R	MPIII Temp Dual Silicone Flex	Custom	-20°C (-4°F) to +140°C (+284°F)	0.058"
127705-520-R	MPIII Temp Dual Silicone Flex	Custom	-20°C (-4°F) to +140°C (+284°F)	0.058"
127710-502-R	MPIII Temp Dual Silicone Flex	12"	-20°C (-4°F) to +140°C (+284°F)	1/8" Taper Tip
127710-517-R	MPIII Temp Dual Silicone Flex	6"	-20°C (-4°F) to +140°C (+284°F)	1/8" Taper Tip
127710-520-R	MPIII Temp Dual Silicone Flex		-20°C (-4°F) to +140°C (+284°F)	1/8" Taper Tip
127144-XX1-R	MPIII Temp Dual Custom Probes Combos		-20°C (-4°F) to +140°C (+284°F)	0.079"
127700-521-R	MPIII Temp Dual Custom Probes Combos		-20°C (-4°F) to +140°C (+284°F)	1/8" Taper Tip
127700-522-R	MPIII Temp Dual Custom Probes Combos		-20°C (-4°F) to +140°C (+284°F)	1/8" Taper Tip