

# MICRO CALIBRATION BATHS

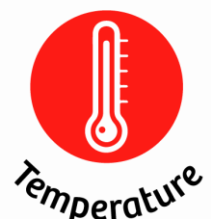
Model:

**OBM (+ 35 °C... + 220 °C)**

**OBM-LT (- 35 °C... + 130 °C)**

**Portable calibration baths - metrology performance:**

- Conventional compressor-based refrigeration system
  - Uniformity and stability in mK range
  - Fluid ensures perfect heat transfer
    - Unique vertical flow design
    - Calibrate sensors in fluid
      - Take it anywhere



**Device description:**



Bath working chamber transportation cap

Carrying handle

Vertical fixture

7" capacitive touch screen controller with user friendly interface, advance settings options, Ethernet and USB communication ports

All interior and wetted parts in stainless steel AISI 304

Ethernet & USB communication port

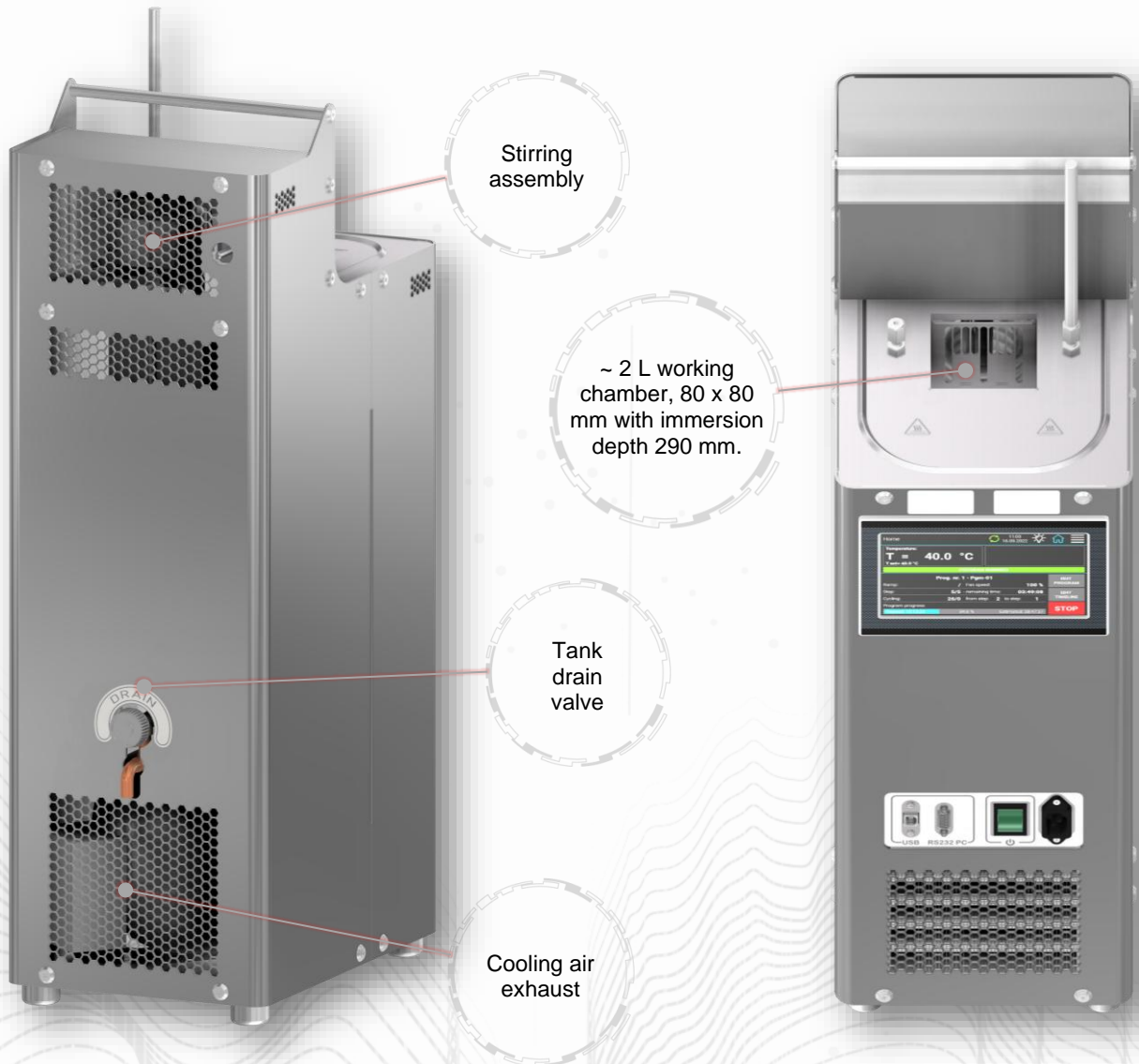
All exterior in powder coated Aluminum

Conventional compressor-based refrigeration system

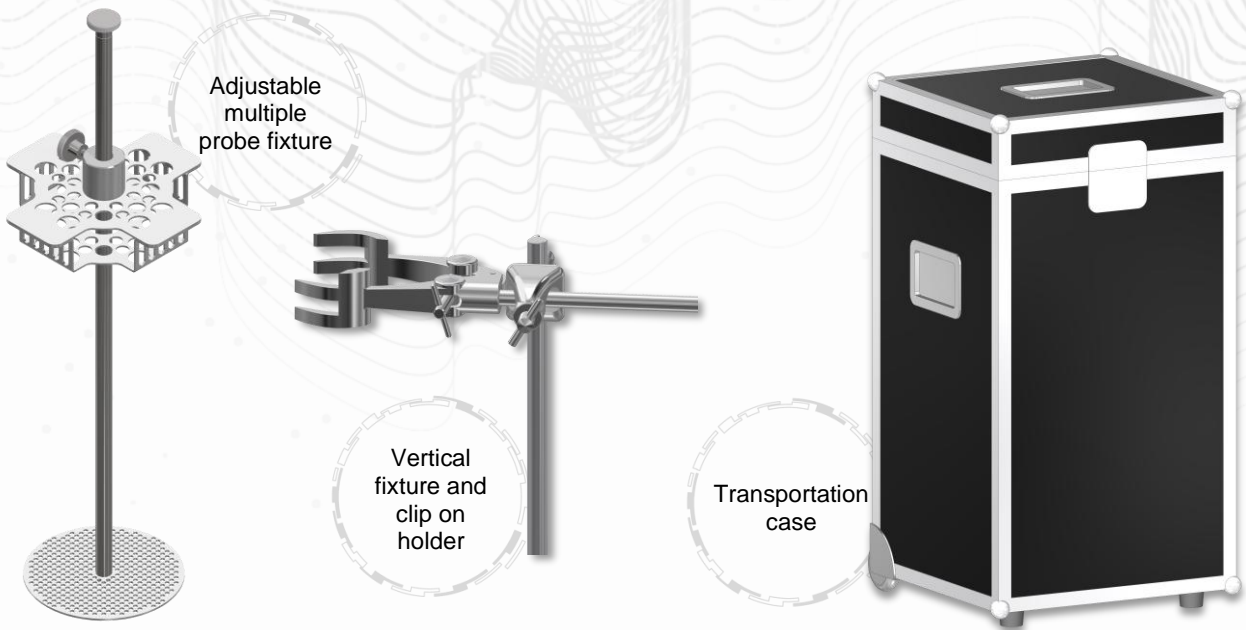
Power cord connection

Rubber legs

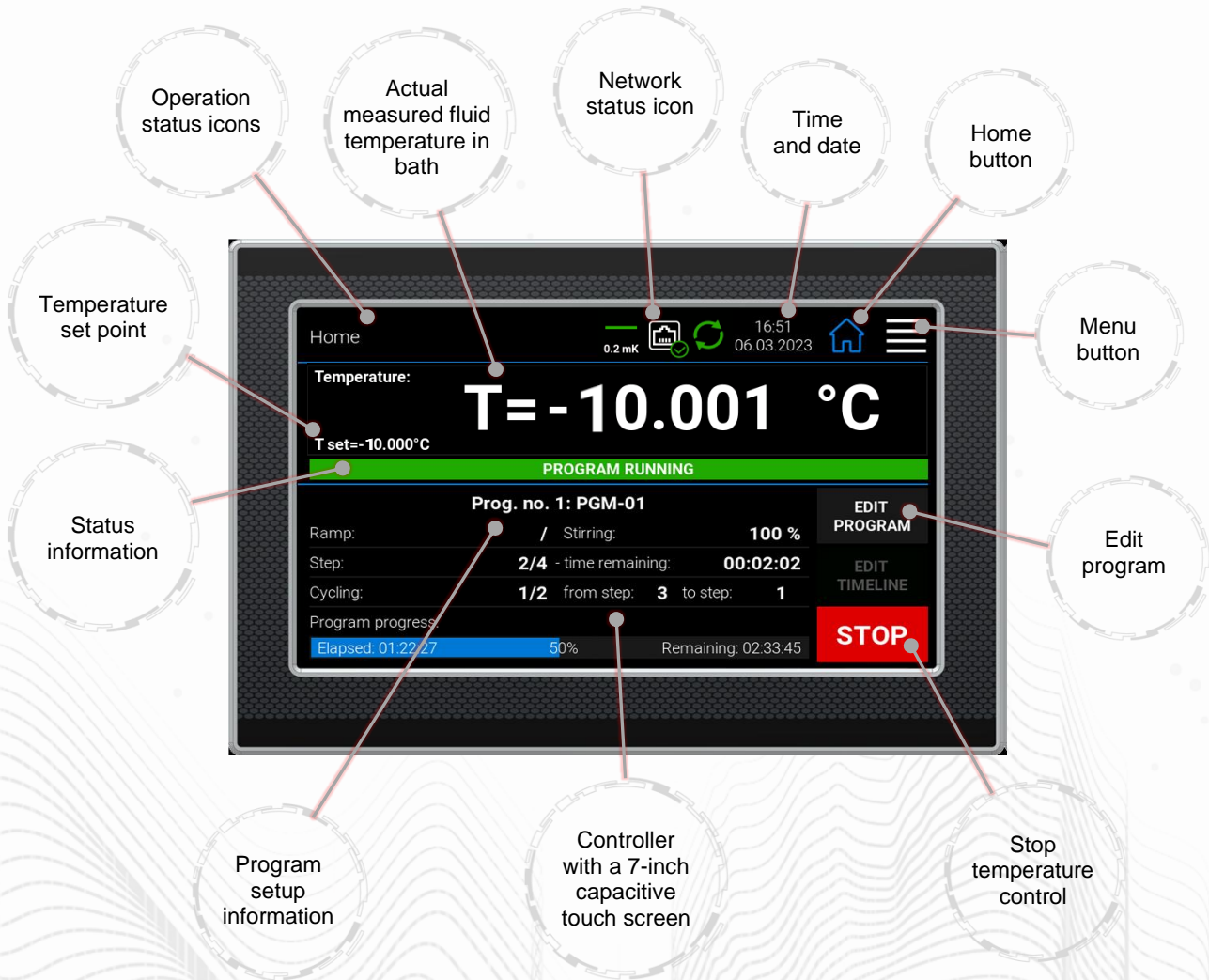
Main switch



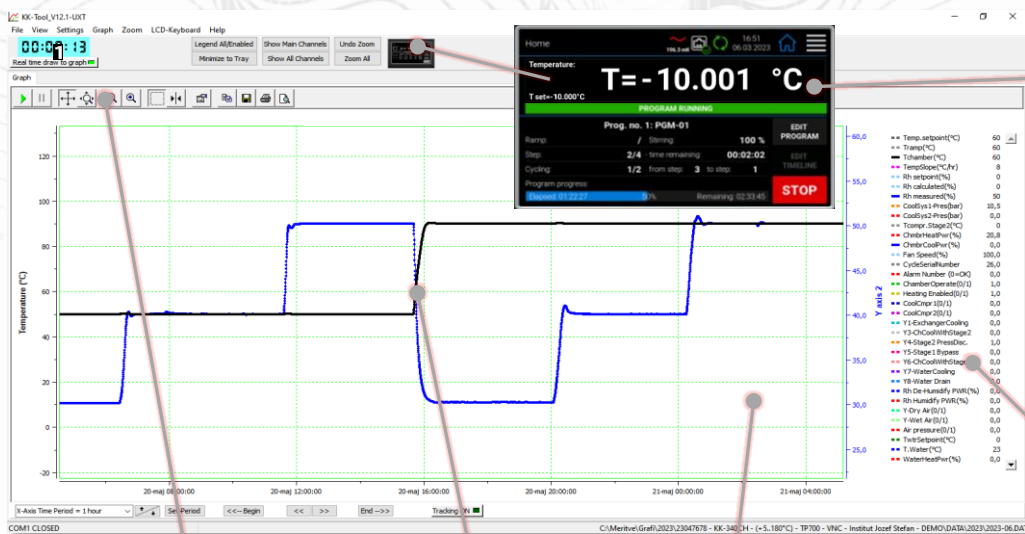
**Accessories:**





**Touch display with advanced controller functions:**



**OB-Tool software for PC (free – included with every unit):**



## Technical data:

	<b>OBM</b>	<b>OBM-LT</b>
		
External dimensions (WxHxD) in mm	225 x 685 x 330	225 x 685 x 330
Internal dimensions (WxHxD) in mm	80 x 290 x 80	80 x 290 x 80
Volume (L)	~ 4	~ 4
Temperature range (°C)	+ 35 ...+ 220	- 35 ...+ 130
Temperature display resolution (°C)	0.001	0.001
Temperature set resolution (°C)	0.01	0.01
Temperature stability [°C]	± 0.002 @ + 50 °C ± 0.003 @ +100 °C ± 0.008 @ +200 °C	± 0.007 @ - 35 °C ± 0.002 @ + 50 °C ± 0.003 @ +100 °C
Temperature uniformity [°C]	± 0.01 @ + 100 °C	± 0.01 @ + 0 °C
Heating rate	~ 20 min (+ 20 °C ...+ 100 °C)	~ 20 min (+ 20 °C ...+ 100 °C)
Cooling rate	N/A	~ 60 min (+ 20 °C ...- 35 °C)
Temperature Control	PID	PID
Noise level [dBA]	< 58	< 58
Cooling	N/A Natural	Compressor Cooling System
Power supply	230 V 50/60 HZ (± 10 %)	230 V 50/60 HZ (± 10 %)
Wattage [W]	300	650
Interface	Ethernet, USB	Ethernet, USB
Weight [kg]	~ 19	~ 23

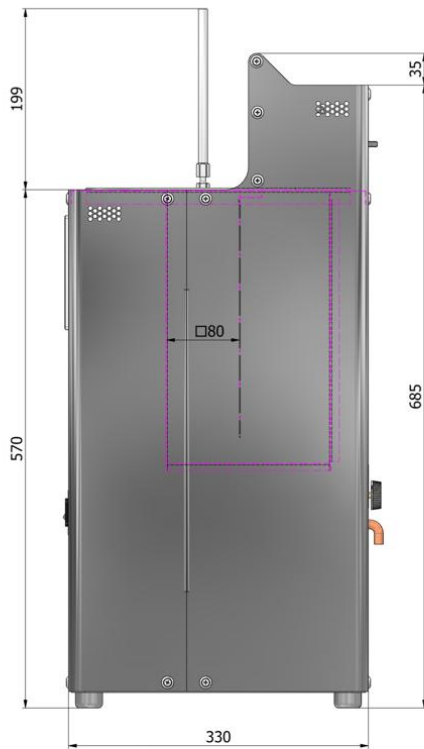
\*All performance data with fluid KDC 200.50

\*All performance in controlled environment (Tambient = 22 °C ± 3 °C)!

\*Accessories might affect performance!

## Ordering information and accessories:

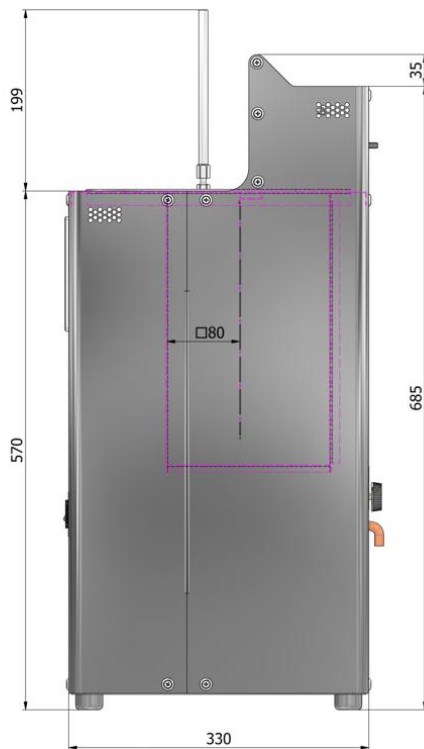
<b>Description</b>	<b>Part no.</b>
Micro calibration bath OBM	1617
Micro calibration bath OBM-LT	1618
Evaluation report – performed by Kambic	1719
Evaluation report (Accredited ISO/IEC 17025:2017)	2997
Vertical fixture and clip on holder	1638
Adjustable multiple probe fixture	1733
Silicone oil fluid KDC 200.05 (- 40 °C ...+ 130 °C)	645
Silicone oil fluid KDC 200.20 (+ 10 °C ...+ 230 °C)	600
Silicone oil fluid KDC 200.50 (+ 30 °C ...+ 278 °C)	631
Transportation case	1666



SHIPPING	
W	410 mm
H	880 mm
D	610 mm
WEIGHT	22 kg

\* we reserve the right to modifications

DIMENSIONAL DRAWING	PRODUCT	MODEL
	MICRO CALIBRATION BATH	OBM



SHIPPING	
W	410 mm
H	880 mm
D	610 mm
WEIGHT	33 kg

\* we reserve the right to modifications

DIMENSIONAL DRAWING	PRODUCT	MODEL
	MICRO CALIBRATION BATH	OBM-LT